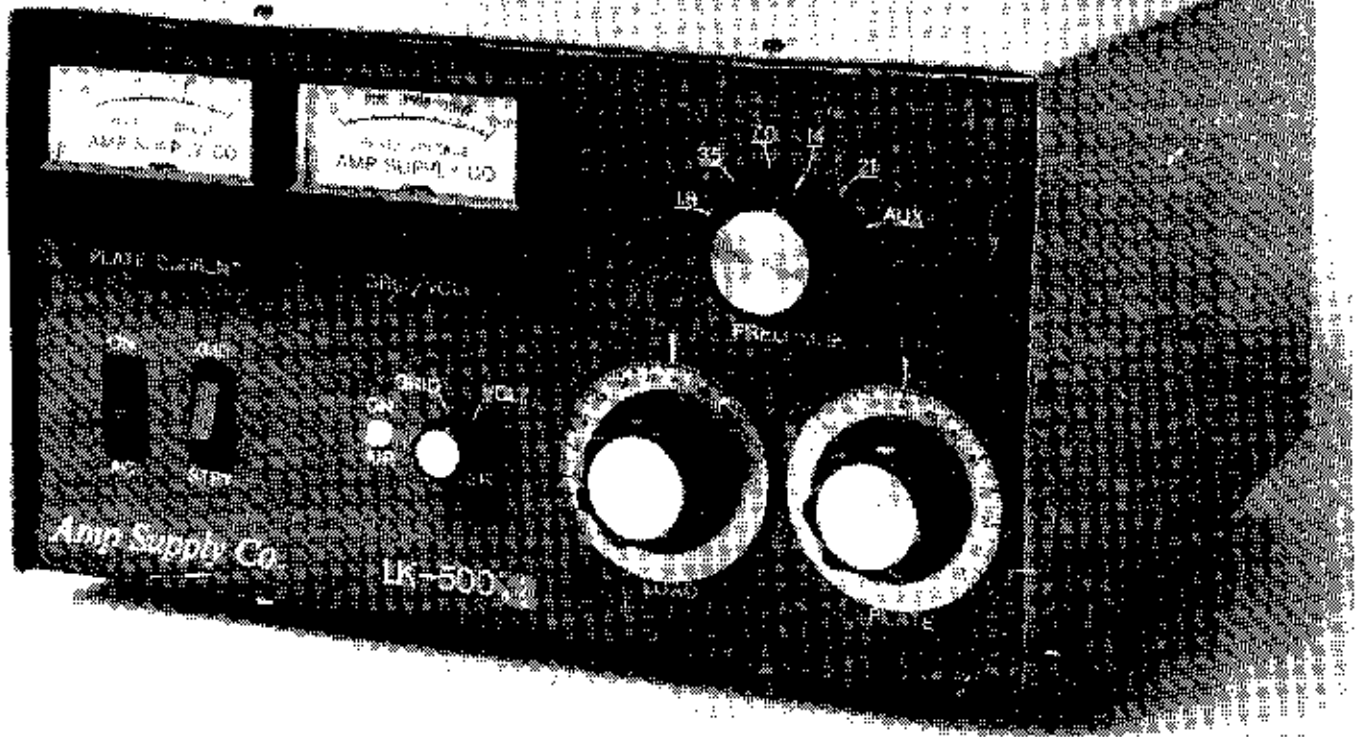


# *Amp Supply Co.*



**LK-500Z "B"**

# **K4XL's** **BAMA**

This manual is provided **FREE OF CHARGE** from the "BoatAnchor Manual Archive" as a service to the Boatanchor community.

It was uploaded by someone who wanted to help you repair and maintain your equipment.

If you paid anyone other than BAMA for this manual, you paid someone who is making a profit from the free labor of others without asking their permission.

You may pass on copies of this manual to anyone who needs it. But do it without charge.

Thousands of files are available without charge from BAMA. Visit us at <http://bama.sbc.edu>

## INTRODUCTION

The Amp Supply LK500ZB Linear Amplifier is a compact 2500 Watts PEP 160-15 meter amplifier of modern design. It is a high performance piece of equipment requiring a minimum of maintenance through years of operation. The LK500ZB was engineered conservatively, with American components and ingenuity. The unit is field-tested and rated for 2500 Watts PEP input continuous in SSB service and 2000 Watts DC input along with many MARS operating frequencies, without modifications.

Two EIMAC 3-500Z triodes are employed, operating in grounded grid in conjunction with a solid state power supply capable of either 117V or 234V operation. The LK500ZB uses a double duty cooling system which allows cooling of not only the tubes, but the power supply as well.

Tuning the LK500ZB is a simple procedure, since the unit is designed for long-term stability in virtually any operating situation. Tuned input and standard relay switching circuitry makes the LK500ZB compatible with any solid state or tube transceiver or transmitter available. The LK500ZB, despite its straight-forward design and minimal user required adjustment, is nonetheless a sophisticated electronic instrument. Therefore, if the unit is operated outside the parameters outlined in this owner's manual, it is possible that damage can result.

Please read this manual carefully before putting your LK500ZB on the air.

## WARNING

TO TAKE FULL ADVANTAGE OF THE LK500ZB COOLING SYSTEM, IT IS REQUIRED THAT THE AMPLIFIER BE OPERATED WITH AT LEAST 2-1/2" CLEARANCE ON BOTH SIDES AND TOP OF THE UNIT.

## CAUTIONS

1. Make no attempt to put the LK500ZB in service outside of the cabinet. Contact with high voltages in this Amplifier can be FATAL TO THE HUMAN BODY.
2. Never attempt to operate the LK500ZB with drive power of more than 125 Watts!
3. Never attempt to operate the LK500ZB without first connecting it to an antenna with an SWR of less than 2:1, or a 50 Ohm dummy load of sufficient power handling capacity or serious damage may result to the amplifier.

4. Do not, under any circumstances, operate the LK500ZB from a 117 Volt lighting circuit because the circuit conductors are not large enough to safely carry this load.
5. Never run Amplifier from an extension cord.
6. Do not attempt to change jumper connections on primary of Amplifier without first removing power from the LK500ZB.
7. Do not cover the top of the LK500ZB with books, papers or other pieces of equipment or overheating may result.
8. Do not use different tuning procedures other than indicated in this manual.
9. When cleaning the LK500ZB never blow high pressure air directly into the fan blades. Spinning the fan at higher speeds than it was designed for can cause damage and freeze the rotor assembly of the fan. Use a brush in cleaning the fan assembly.

### S P E C I F I C A T I O N S

FREQUENCY COVERAGE: Ham bands 160 through 15 meters\*. Non-amateur frequencies between 1.8-4.0 and 6.5-24MHz may be covered with adjustment of the tuned input.

TYPICAL OUTPUT: 1500 Watts on SSB, 1200 Watts CW and 900 Watts on SSTV, RTTY

DRIVE REQUIREMENTS  
FOR TYPICAL OUTPUT: 100 Watts PEP SSB, 75 Watts CW, 60 Watts RTTY, SSTV

INPUT IMPEDANCE: 50 Ohms - tuned input on each band

OUTPUT IMPEDANCE: Adjustable Pi-network matches 50 Ohm load with SWR not to exceed 2:1

INTERMODULATION  
DISTORTION PRODUCTS: In excess of -33dB below PEP

HARMONIC SUPPRESSION: In excess of -45dB

POWER REQUIREMENTS: 117 Volts 50/60 Hertz 25 Amps or 234 Volts 50/60 Hertz 12.5 Amps

DIMENSIONS: 9" H x 15" W x 15" D  
WEIGHT: 54 LB

\*OPTIONS:                   Ten Meter Modification Kit -- for licensed  
                              US amateurs  
                              XPort Model, factory built-in 10 meter band

Specifications are subject to change without notice or obligation.

### FRONT PANEL CONTROLS

ON-AC ROCKER SWITCH - Turns power on and off.

XMIT-STBY ROCKER SWITCH - Turns the amp from standby to operate mode.

BAND-SWITCH - Selects desired bands.

PLATE AND LOAD KNOBS - Tuning adjusts Pi-Network capacitors in tank circuit for proper resonance and loading on all bands.

PLATE CURRENT METER - Continuously monitors plate current of 3-500Z tubes.

GRID-VOLT METER - By use of the meter switch can monitor plate volts (0-3500 V or grid current 0-350 mA.

### REAR JACKS

RF-IN - For connecting to exciter RF output.

RF-OUT - For connecting the LK500ZB to an antenna.

RLY - For connecting to exciter auxiliary jack to activate T/R Relay in the LK-500ZB.

KEY IN - QSK ONLY-station key, must be a bug, hand key or a keyer with a reed relay.

KEY OUT - QSK ONLY - hooks to the key in jack on a QSK transceiver.

QSK VOX SWITCH - place in the QSK position when operating QSK CW.

### INSTALLATION

1. Make no attempt to put the Amplifier in service outside of the cabinet -- contact with voltage in this Amplifier CAN BE FATAL!!!!!!!!!!!!!!!!!!!!

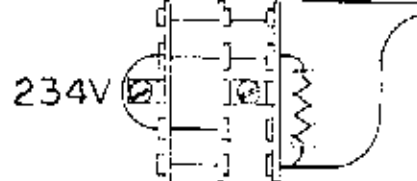
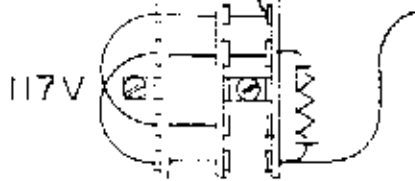
2. Unpacking - Carefully remove your LK500ZB from its packing carton, and examine it closely for signs of shipping damages. Should any damage be apparent, notify the delivery carrier immediately, stating the full extent of the damage.
3. Install 3-500Z Tubes. **W A R N I N G** The LK500ZB has been shipped from the factory without the tubes. These are packed separately. Be sure to install these items before turning on the LK500ZB.

Tube Installation. Carefully remove the EIMAC tubes from their boxes. Carefully move the two parasitic chokes in the tank compartment of the LK500ZB out of the way and install tubes. When tightening down the plate caps, only tighten screws snug--overtightening may damage tubes. Remove packing from under the tuned input board.

4. Fill out the enclosed warranty registration card and return to Amp Supply.
5. Location. In general, the location of the LK500ZB is not critical, however, there are certain considerations which must be given to insure optimum performance. Extremely hot locations, such as near radiators or heating units should be avoided. Do not cover the top of the Amplifier case with books, papers, or other pieces of equipment, or overheating may occur. The sides of the Amplifier case must not be obstructed and should not be placed closer than 2-1/2 inches from a wall or the air inlet and outlet for the blower will be blocked and overheating of the Amplifier tubes may occur.
6. Power Requirements. The LK500ZB has a built-in continuous-duty power supply which can be operated from either 234 V AC or 117 V AC 50/60 Hz. A jumper network is provided inside of the Amplifier.

The LK500ZB is shipped from the factory with jumpers connected to operate on 234 V AC. It is highly recommended that the LK500ZA be operated from its own 234 - 15 A (or greater) circuit. If a 117 V circuit is all that is available, it should be fused for 30 A and circuit conductors should not be less than #10 and no other equipment should be operated from this circuit. Never run Amplifier from an extension cord.

On the next page are pictorials of jumper connections located in the left rear corner of the chassis for both 234 V and 117 V operation. The jumpers must be connected as shown or severe damage to the LK500ZB components may result. Remove existing jumper before installing the new ones.



**W A R N I N G**

COMPLETELY REMOVE POWER FROM LK500ZA BEFORE ATTEMPTING TO CHANGE JUMPER CONNECTIONS ON BACK OF AMPLIFIER.

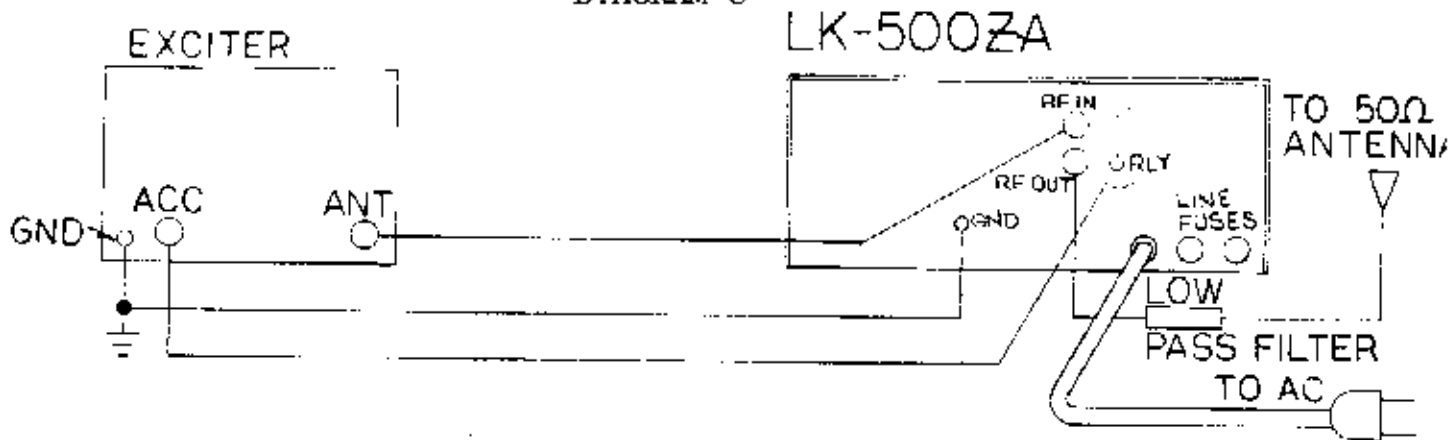
7. Amplifier Installation. After the tubes have been installed, connect your LK500ZB to your power source. Set the Amplifier Controls as follows:

- |           |   |       |
|-----------|---|-------|
| AC/ON     | - | OFF   |
| XMIT/STBY | - | STBY  |
| METER     | - | VOLTS |

Turn the unit on. Plate voltage will read between 3000-3300 Volts DC. Turn the unit off.

8. Cable Installation. (see Diagram C) Using 6' length, connect a 52-Ohm coaxial cable between your exciter's RF Output and the LK500ZB rear panel RF Input connector. Next connect another short length of 52-Ohm coaxial cable (RG-8U or equivalent) from the RF Output connector to a suitable Wattmeter and Antenna system. Next, a piece of shielded cable should be installed between the RCA type jack on the rear panel marked RLY and the accessory contacts of your exciter. These should be normally open contacts that are closed on TRANSMIT. (See your exciter operator's manual.) This completes hookup of the LK500ZA.

DIAGRAM C



Antenna Requirements. The LK500ZB has been designed for use with antennas resonant at the operation frequency and having approximate impedances within the limits of 30 to 75 Ohms.

The nominal output impedance of the LK500ZB is 50 Ohms and the SWR of this load should never exceed 2:1. Although there are many types of antennas which will meet these requirements, the simplest is a one-half (1/2) wave dipole center fed with 52 Ohm coax. For a detailed discussion on antennas, we suggest referring to an appropriate antenna book.

Most practical antennas exhibit an SWR range over a complete amateur band that exceeds 2:1. For this reason we recommend using an antenna matching network which will allow the LK500ZB to work into a 50 Ohm resistive load for maximum power transfer into the antenna. The new AT-3000 by Amp Supply Co. is a perfect companion tuner for the LK-500 series of amplifiers.

### C A U T I O N

NEVER ATTEMPT TO OPERATE THE LK500ZB WITHOUT FIRST CONNECTING IT TO AN ANTENNA OR 50 OHM DUMMY LOAD OF SUFFICIENT POWER HANDLING CAPACITY OR SERIOUS DAMAGE MAY RESULT.

Ground Requirements. The LK500ZB should be attached to a good earth ground through as short and as large a ground strap as possible for best results. A ground post is provided on the rear of the LK500ZB chassis for this purpose. It is always a good idea to connect the chassis of all associated equipment together and ground them at one point to avoid ground loops. We recommend that all of the equipment in your station be connected together and grounded at the Antenna Tuner.

### T U N I N G   P R O C E D U R E

#### WARNING

THIS UNIT IS SHIPPED READY FOR 234 VAC OPERATION. IF YOUR APPLICATION REQUIRES RUNNING THE LK500ZB ON 117 VAC, SEE "POWER REQUIREMENTS" UNDER INSTALLATION INSTRUCTIONS.

1. Set the Bandswitch to the desired band.
2. Set the Load Control on number shown on tuning chart.
3. Set the Tune Control on number shown on tuning chart.
4. Set the On/Ac Control to ON.
5. Set the Xmit/Stby Control to XMIT.
6. Set Meter switch to grid current. (This is read on Plate/Grid Current Meter).



7. Insert a small amount of exciter drive until the plate current begins to rise to approximately 400mA.
8. Rotate the Tune Control for maximum output on your station wattmeter.
9. Go between Tune and Load for maximum output.  
 1 KW input (Plate Voltage x Plate Current = Power Input)  
 Example: Plate Current = 400mA  
 Plate Voltage = 2500 V DC  
 .4 x 2500 V = 1000 Watts Input
10. Increase drive power. Repeat steps 8 through 10 until you obtain desired output.
11. During tune up alternately monitor Grid and Plate Current.
12. Grid current can be reduced by slightly decreasing the Load control. Turn control to right, clockwise.
13. ALWAYS TUNE FOR MAXIMUM OUTPUT !
14. TUNE FOR MAXIMUM OUTPUT AT ALL TIMES !!!!!!!!!!!!!!!!!!!!!!!

**WARNING**

CURRENT LIMITATIONS FOR NORMAL OPERATION:

Plate Current. . . not to exceed 950 MA. in full tune-up  
 Grid Current .. . under tune up, RTTY, or SSTV, never to exceed 350 mA.  
 .. . on SSR voice peaks should average less than 250mA while operating.  
 . . . on CW between 100 and 250mA, depending on sending speed.

**S E R V I C E   D A T A**

**CAUTION**

EXTREME CARE MUST BE TAKEN WHENEVER MAKING ANY ADJUSTMENTS INSIDE THE LK500ZB.

Removing Top Cover. After completely disconnecting the LK500ZB from power wait 30 minutes so all electrolytic capacitors have discharged through their bleeding resistors. The top cover can then be safely removed by taking out the top and side row of screws.

Cleaning Amplifier Compartment. Since the Amplifier compartment is forced-air cooled, it will collect particles of dust which must be removed periodically. The frequency of cleaning will be governed by how many hours the LK500ZB is operated, and by how clean its environment is. When the blower blade accumulates a large amount of dust, the Amplifier should be cleaned. The best way to clean the LK500ZB is to remove the top cover and blow the dust out with compressed air. If compressed air is not available, a soft-bristled one-inch paint brush can be used to brush the Amplifier clean.

#### WARNING

DO NOT BLOW AIR DIRECTLY INTO THE FAN BLADES. USE A BRUSH IN CLEANING THE BLADES OF THE FAN.

Tube Replacement. If it becomes necessary to replace the tubes in the LK500ZB the same brand should be used. A new tube kit is available from Amp Supply Co.

Trouble Shooting. Careful consideration has been given to the design of the LK500ZB to keep maintenance problems to a minimum. However, it is possible that some problem will arise which cannot be cured by tube substitution. If this occurs, we suggest that you contact our customer service department, describing your problem in detail. Include full information concerning external connections, control settings, associated equipment, antenna, being sure to indicate the serial number of the LK500ZB. Do not return equipment to the factory without prior authorization.

Returning the LK500ZB to the factory for service. Obtain a return authorization from the customer service department. Amp Supply Co. will assume no responsibility if the transportation company refuses to pay a damage claim due to improper packing or lack of insurance. Be certain to remove the tubes prior to shipping and return the tubes in a separate carton.

#### OPEN LETTER TO LK-500 SERIES AMPLIFIER OWNERS

I would like to take this opportunity to thank you for the purchase of your new LK-500-ZB from Amp Supply Co. The entire workforce at Amp Supply, shares in my desire for your complete satisfaction and enjoyment of the LK-500. We have done our best to insure that every amplifier produced is of the highest quality.

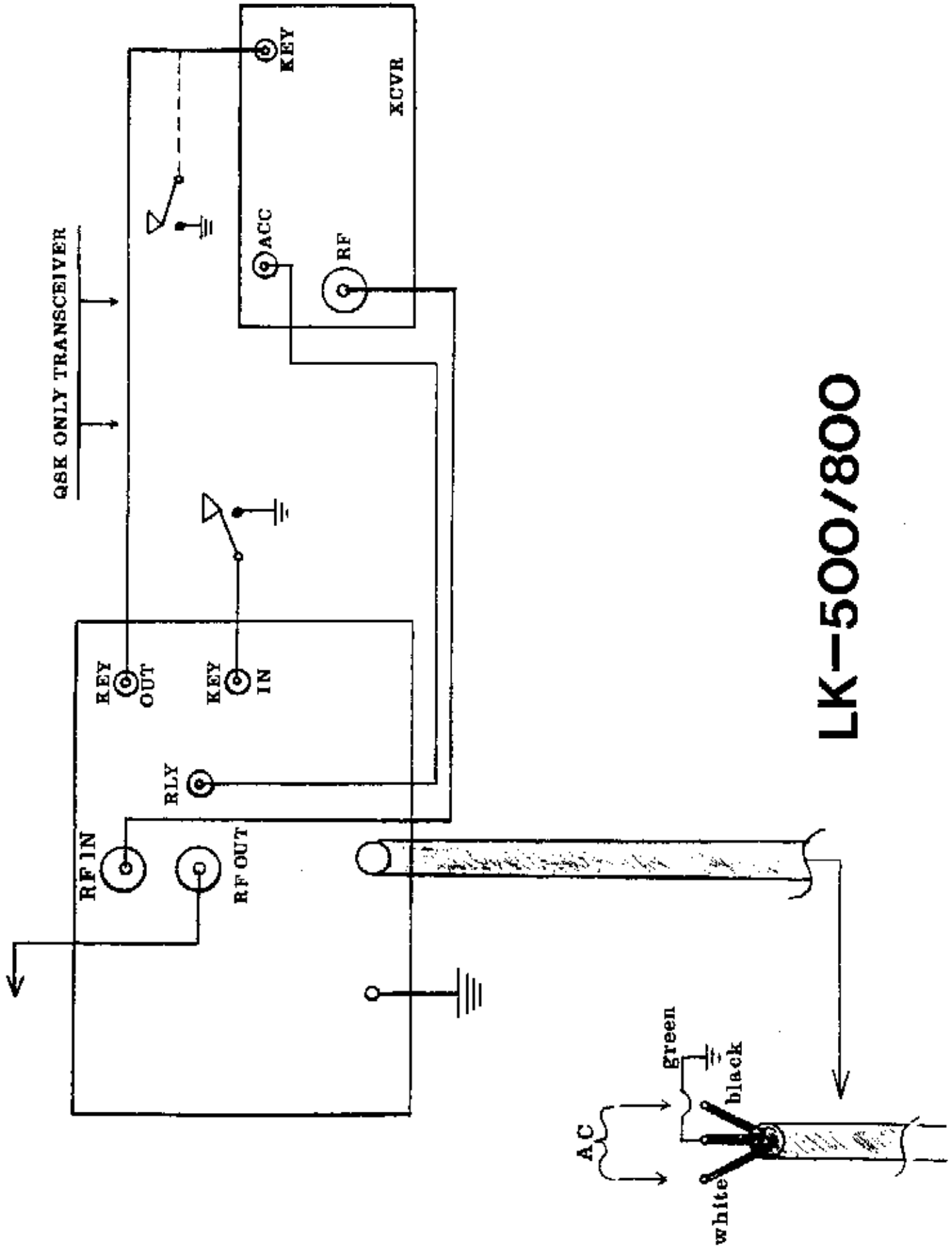
I solicit any and all comments about your new LK-500-ZB. Amp Supply Co. is here to serve "YOU". You are the most important person in our business as a satisfied customer and we are dependent on you. I wish for you to be a part of our business. Your satisfaction is the life-blood of Amp Supply. Stated simply, customers return to and buy repeatedly from companies who satisfy and please them.

God Bless You and 73,           Denny K8KXK

# LK-500ZB

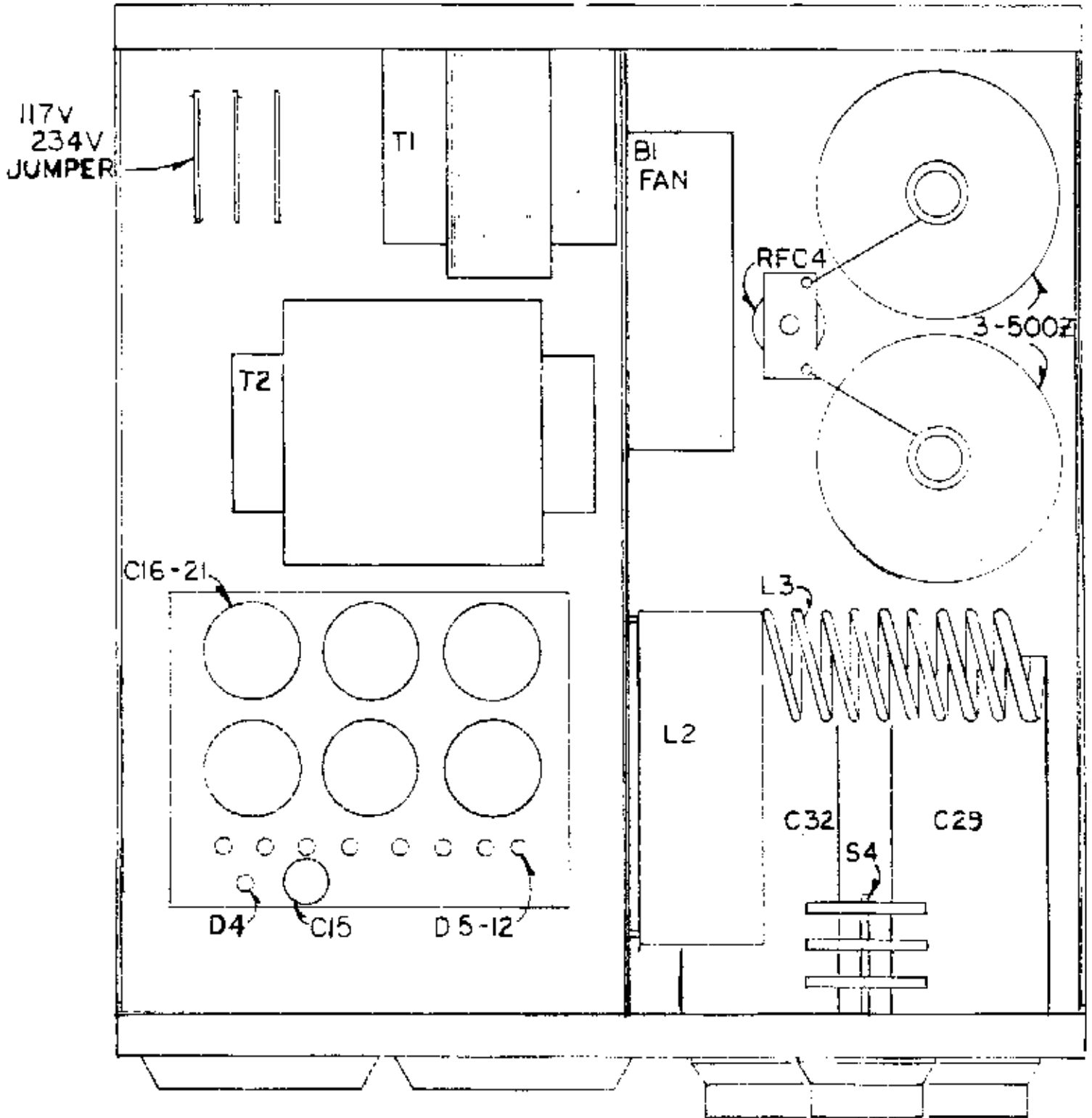
## EXPANDED MARS FREQUENCY COVERAGE

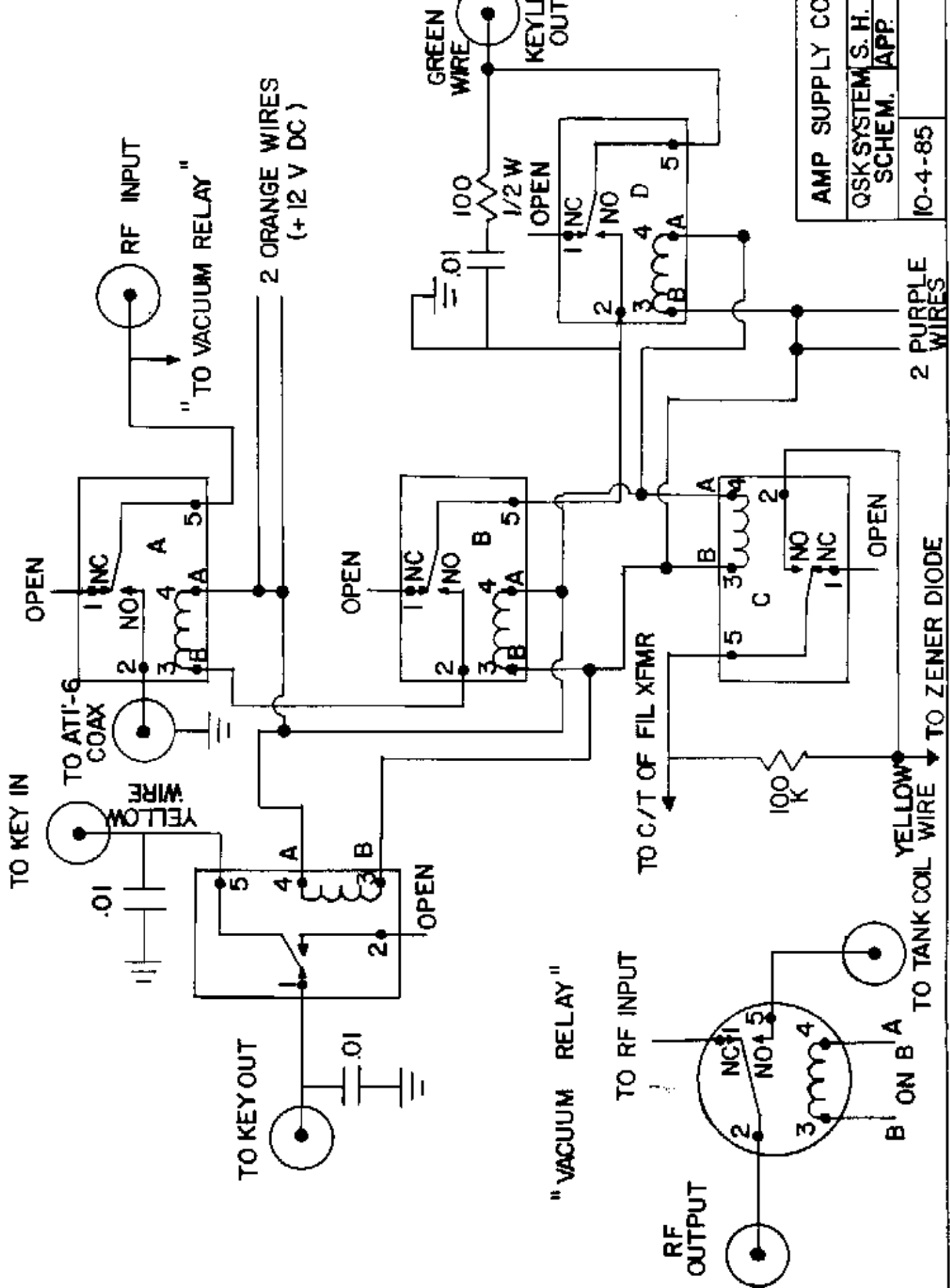
<u>FREQUENCY</u>	<u>BAND SELECT</u>	<u>PLATE</u>	<u>LOAD</u>
7.500	7.0	38	39
8.033	7.0	30	30
11.539	14.0	47	95
12.050	14.0	42	86
13.644	14.0	29	61
13.485	14.0	30	61
13.827	14.0	28	58
13.975	14.0	28	55
14.385	14.0	24	53
14.443	14.0	24	53
14.820	14.0	22	42
14.935	14.0	21	46
16.300	21.0	42	70
20.680	21.0	19	45
20.937	21.0	18	43
20.998	21.0	18	43
27.963	AUX	15	30
27.975	AUX	15	29



LK-500/800

# LK-500ZB





## PARTLIST.5ZA

L K 5 0 0 Z ~~B~~ P A R T S L I S T

DRAWING SYMBOL	DESCRIPTION
B1 ✓	BLOWER MOTOR
L1-14	.01 1 KV DISC
C22-25, C52-54	
C15	1000 UF 25 V ELECT.
C16-21	125 UF 500 V ELECT.
C26,33	1000 PF 5 KV
C28	.001 7.5 KV DISC.
C29 ✓	250 PF VARIABLE
C30,31,35	200 PF 5 KV
C32	800 PF VARIABLE
C34	500 PF 5 KV
C36-45	INPUT TRIMMERS
C46-51	FACTORY SELECTED INPUT PADDERS
D1-2	IN4007 OR EQUIVALENT
D3	IN3308
D4-12	IN5408
FU1,FU2	15 A (220 V) 25 A (110 V)
J1,2	SO239 CONNECTOR
J3	RCA PHONO CONNECTOR
K1	3PDT 12 V RELAY
K2-6	DPST 12 V RELAY
L1	TANK COIL (14 MHZ-30 MHZ)
L2	TANK COIL (1.8-14 MHZ)
L3-7	FACTORY SELECTED INPUT COILS
M1	0-1, 5 A METER
M2	0-3 KV, 0-300 MA METER
R1,R5	100 K 2 W
R2,R3	FACTORY SELECTER METER SHUNT
R4	250 OHM 10 W
R6-11	200 K 4 W
R12,13	FACTORY SELECTED METER RESISTOR
RFC 1	30 AMP BIFILAR FILAMENT CHOKE
RFC 2,3	PARASITIC CHOKE
RFC 4	PLATE CHOKE
RFC 5	2.5 MH CHOKE
S1	SPDT ROTARY
S2,S3	SPST ROCKER
S4	BANDSWITCH
T1	5 V 30 A TRANSFORMER
T2	POWER TRANSFORMER
TS1	TERMINAL STRIP FOR 117/234 JUMPERS
V1,V2	3-500Z TUBES
R14-29	1 megohm

REVISIONS

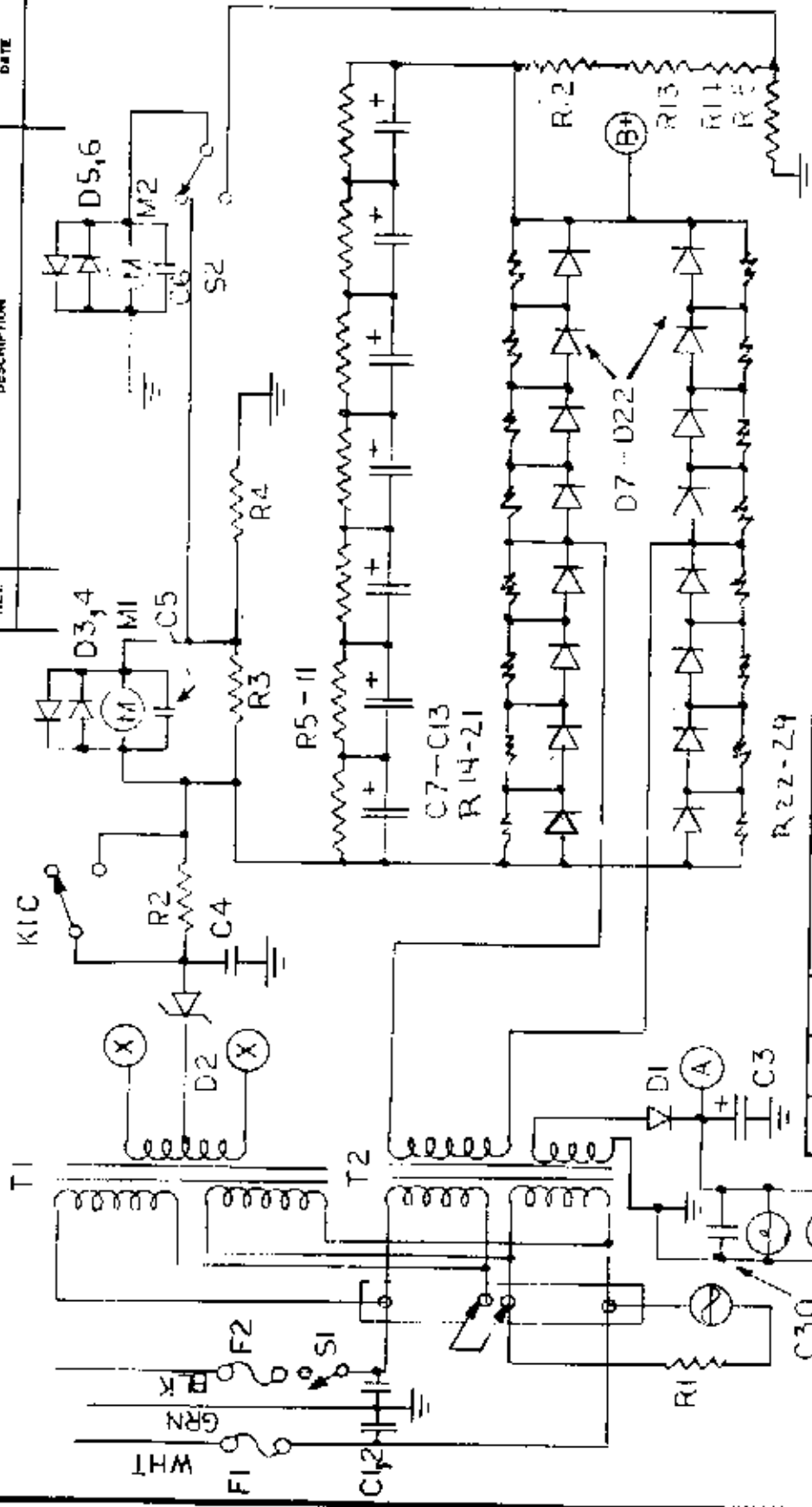
REV. DESCRIPTION DATE APPROVED

DESCRIPTION DATE APPROVED

REV.

DATE

APPROVED



QTY	FSCM NO.	PART OR IDENTIFYING NO.	NOMENCLATURE OR DESCRIPTION	MATERIAL SPECIFICATION
-----	----------	-------------------------	-----------------------------	------------------------

PARTS LIST

AMP SUPPLY CO

CONTRACT NO.

UNLESS OTHERWISE SPECIFIED DIMENSIONS ARE IN INCHES TOLERANCES ARE: FRACTIONS DECIMALS .X3 .XX

APPLICATION  
NEXT ASSY USED OR

APPROVALS	DATE
DRAWN	11/14/54
CHECKED	11/14/54
ISSUED	

DO NOT SCALE DRAWING



## LIMITED WARRANTY

Amp Supply Co. warrants to the original purchaser that this product shall be free from defects in material (except tubes and RF output transistors) or workmanship for two (2) years from the date of original purchase. During the warranty period the Amp Supply Co. or an authorized Amp Supply Co. service facility will provide free of charge both parts (except tubes and RF output transistors) and labor necessary to correct defects in material or workmanship.

To obtain such warranty service, the original purchaser must:

- (1) Complete and send in the Warranty Registration Card.
- (2) Notify Amp Supply Co. or its nearest authorized service facility, as soon as possible after discovery of a possible defect, of:
  - (a) The model number and serial number, if any;
  - (b) The identity of the seller and the approximate date of purchase;
  - (c) A detailed description of the problem including details on the electrical connection to associated equipment and the list of such equipment.
- (3) Deliver the product to the Amp Supply Co. or the nearest authorized service facility, or ship the same in its original container or equivalent, fully insured and shipping charges prepaid.

Correct maintenance, repair and use are important to obtain proper performance from this product. Therefore, carefully read the Instruction Manual. This warranty does not apply to any defect that Amp Supply Co. determines is due to:

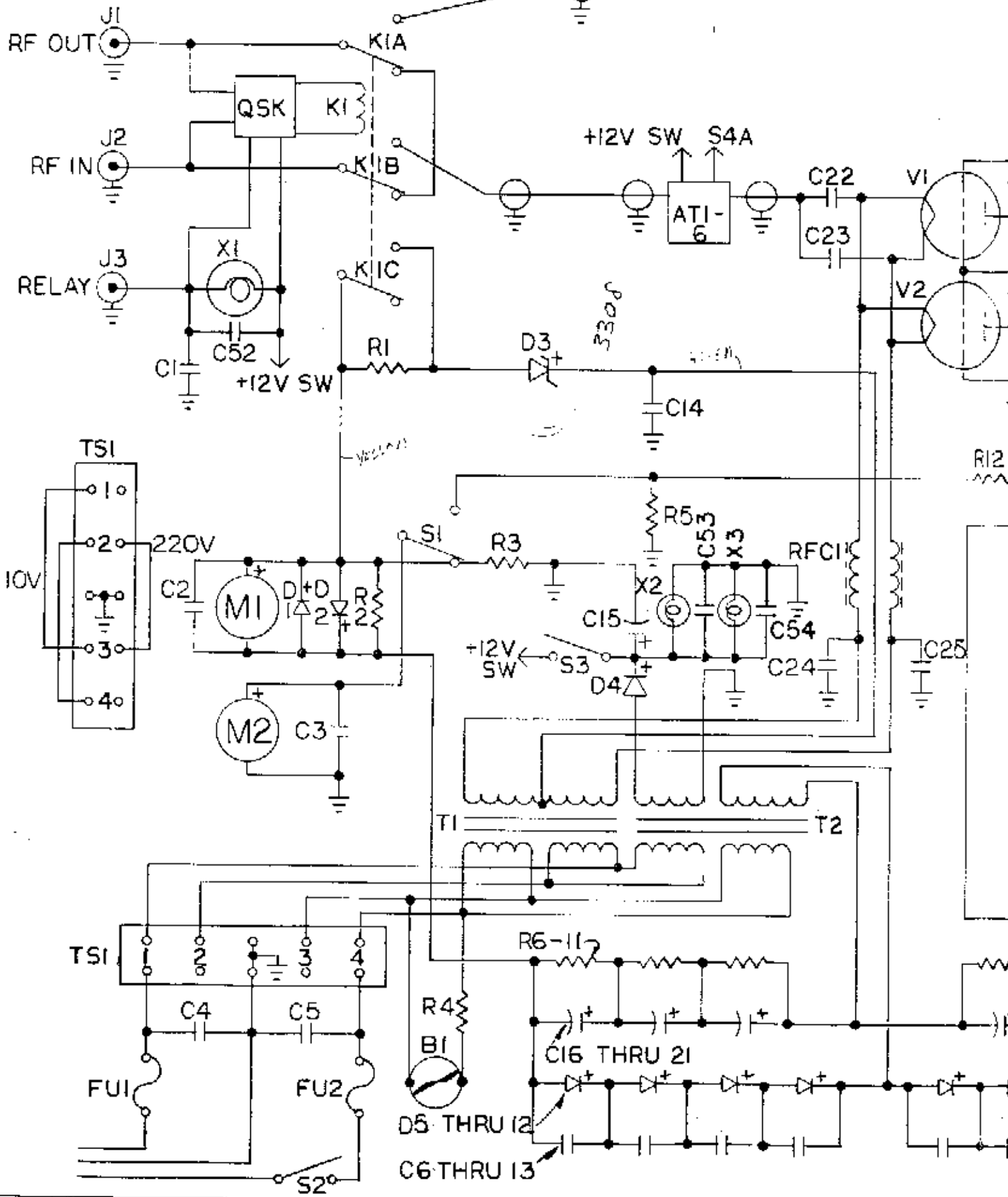
- (1) Improper maintenance or repair, including the installation of parts or accessories that do not conform to the quality and specifications of the original parts.
- (2) Misuse, abuse neglect or improper installation.
- (3) Accidental or intentional damage.

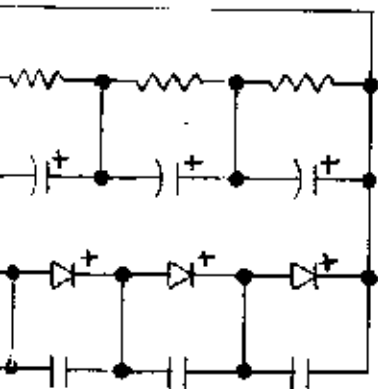
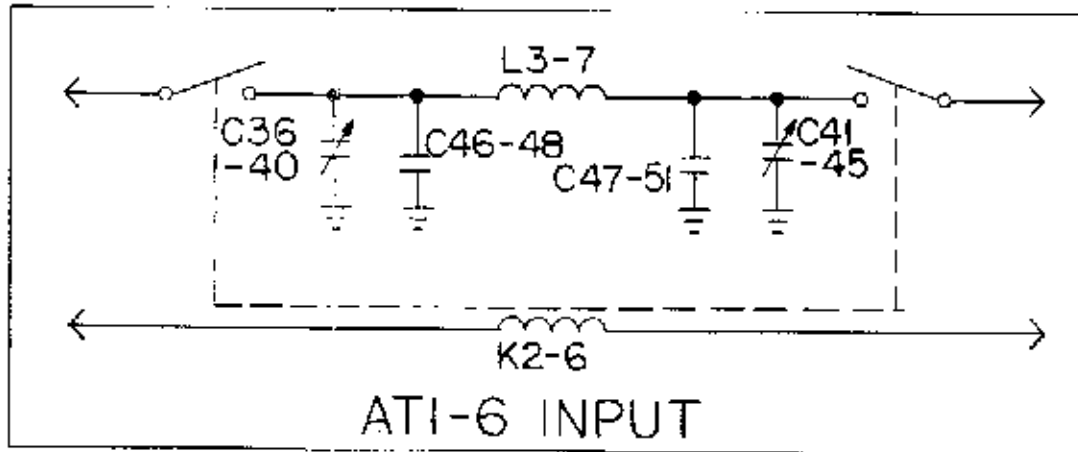
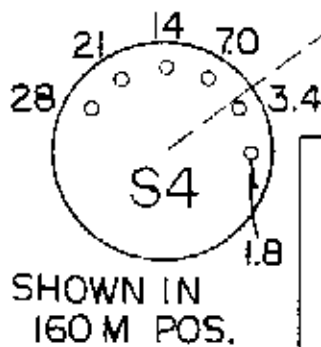
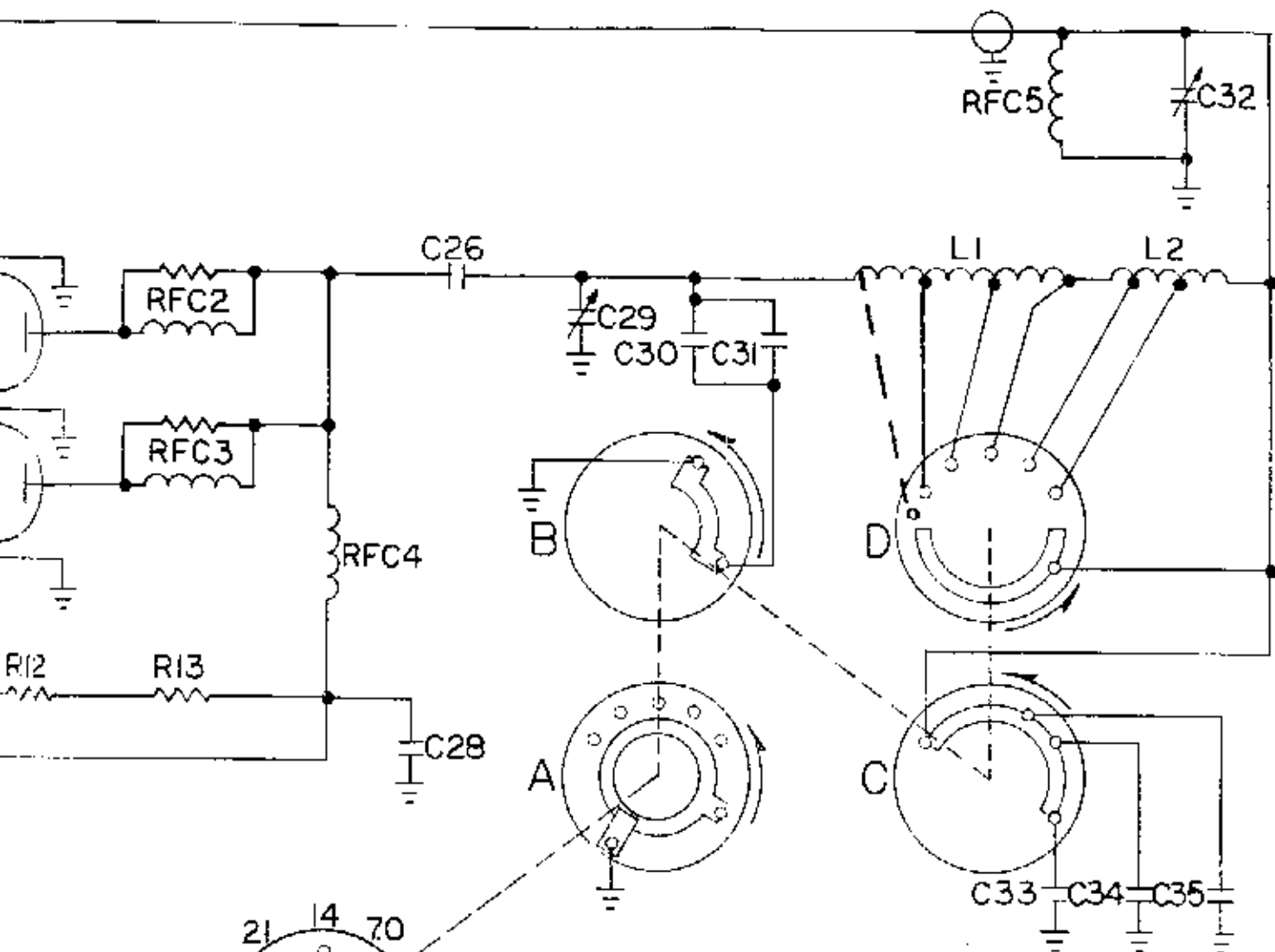
All implied warranties, if any, terminate two (2) years from the date of the original purchase.

The foregoing constitutes Amp Supply Co.'s entire obligation with respect to this product, and the original purchaser and any user or owner shall have no other remedy and no claim for incidental or consequential damages. Some states do not allow limitations on how long an implied warranty lasts or do not allow the exclusion or limitation of incidental or consequential damages, so the above limitation and exclusion may not apply to you.

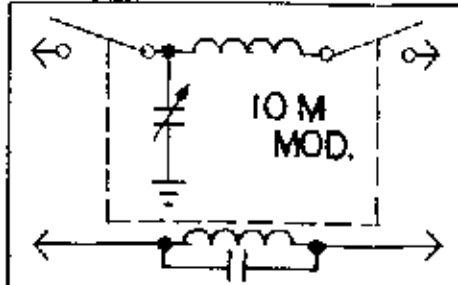
This warranty gives specific legal rights and you may also have other rights which vary from state to state.

AMP SUPPLY CO., 2071 MIDWAY, P.O. BOX 421, TWINSBURG, OH 44087  
TEL. (216) 425-2010 TLX 980131 WTMF

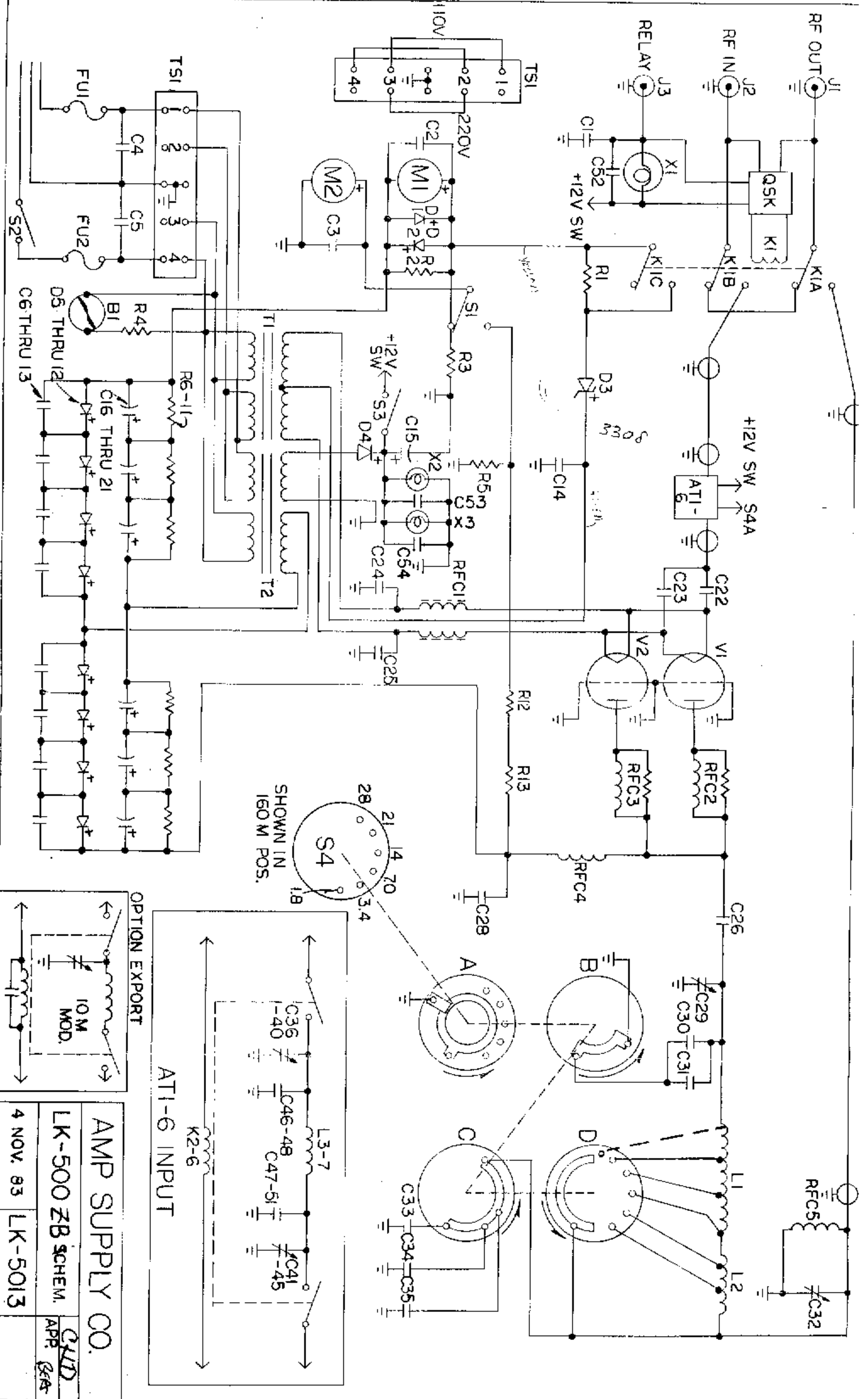




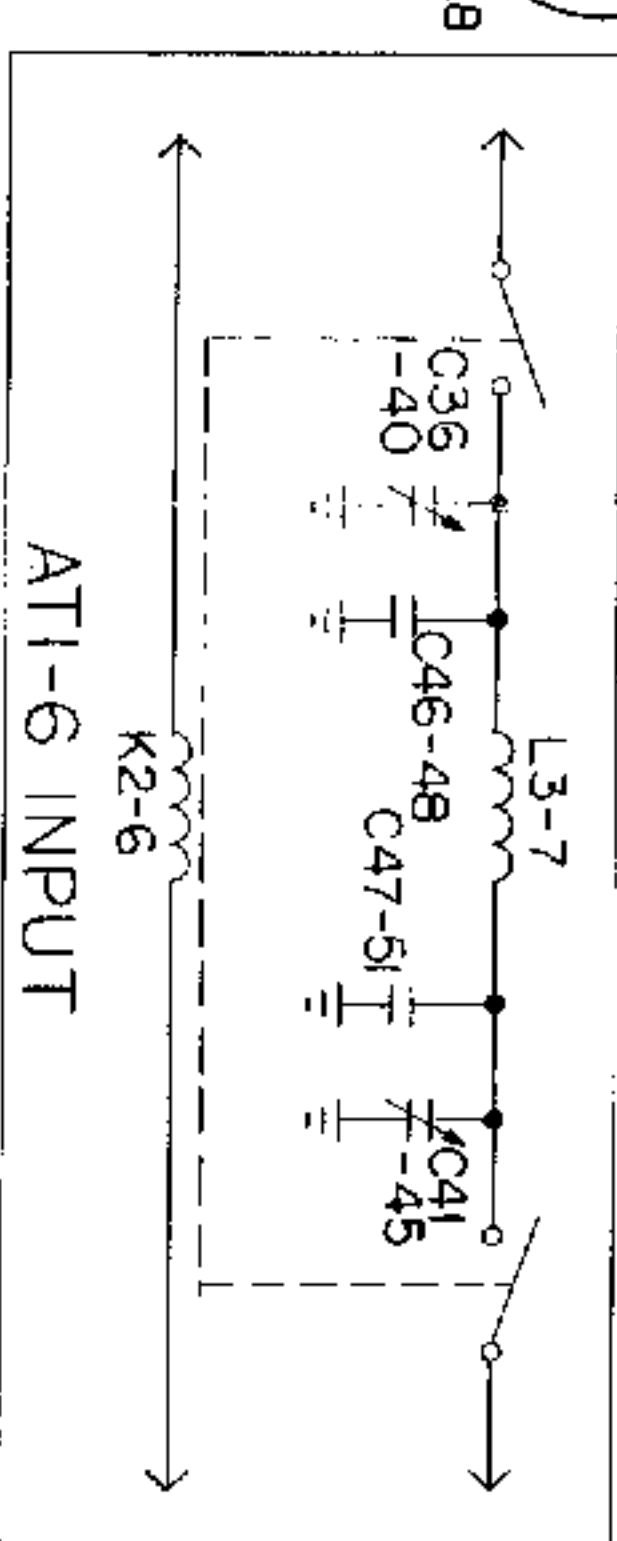
OPTION EXPORT



AMP SUPPLY CO.		
LK-500 ZB SCHEM.		CND APP. BER
4 NOV. 83	LK-5013	



OPTION EXPORT



AMP SUPPLY CO.

LK-500 ZB SCHEM.

4 NOV. 83 LK-5013

GLD  
APR 84

LK-500 ZB TEN METER MODIFICATION INSTRUCTIONS

**\*\*WARNING!!!** Read all instructions thoroughly before beginning to work. You will be dealing with some areas of very high voltage and contact could be very dangerous and/or fatal. Please continue carefully!

## TOOLS NEEDED:

Phillips Screwdriver  
Flathead Screwdriver  
Soldering Iron  
Needlenose Pliers  
Wirecutters

## START:

After completely removing all power from the LK-500 AB, wait thirty (30) minutes for electrolytics to discharge.

Refer to FIGURE 1 for steps 1 through 4.

STEP 1. Remove the two screws holding the ATI-6 board in place.

STEP 2. Install the Relay and two (2) 426 Trimmer Capacitors as shown. Be certain that they are positioned exactly like the existing parts. Install the Toroid Core. Install .01uf capacitor as shown in FIGURE 1.

STEP 3. Install the piece of 18 gauge wire and route it along the five present wires to the bandswitch. NOTE: On some models this wire is installed!

STEP 4. Re-install the ATI-6 using the screws removed in STEP 1.

STEP 5. Solder the piece of 18 gauge wire leading from the tuned input board to the front wafer of the bandswitch as shown in FIGURE 2.

STEP 6. Install 14 gauge wire from the tank coil to the band switch, FIGURE 4 and 5.

THIS COMPLETES THE ACTUAL CONSTRUCTION OF THE TEN METER MODIFICATION. NOW THE UNIT MUST BE CONNECTED TO THE EXCITER AND SWR BRIDGE AND A 50 OHM DUMMY LOAD FOR PROPER ADJUSTMENT.

The SWR bridge should be inserted in line between the exciter and the LK-500 ZB. The LK-500 ZB should be run to a watt-meter and finally to a 50 ohm dummy load. It is recommended that during this procedure, the top cover of the LK-500 ZB be slid onto the unit covering the front portion of the tank circuit and as far back as possible, allowing you enough room to adjust the tuned input capacitors. This will prevent any 10 meter RF from causing inaccurate readings. Apply a small amount of drive to the LK-500 ZB on 10 Meters and tune the LK-500 ZB for maximum output power.

Next, adjust the two 426 trimmer capacitors for a minimum SWR between the exciter and amplifier and the maximum power output from the amplifier. Increase the drive power and repeat this procedure until you are at full drive power.

When the 10 meter modification is completed with a reasonable amount of care and workmanship, it will not effect the warranty.

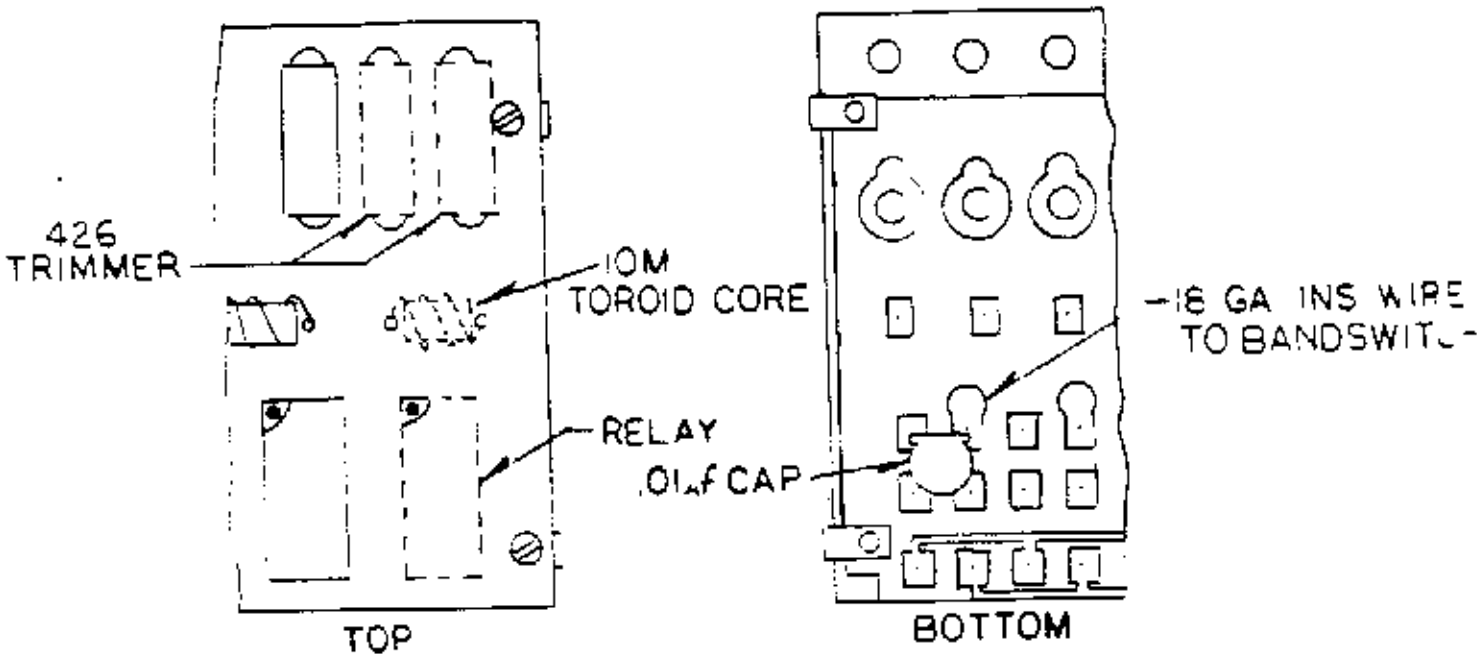


FIG. 1 (ATI-6)

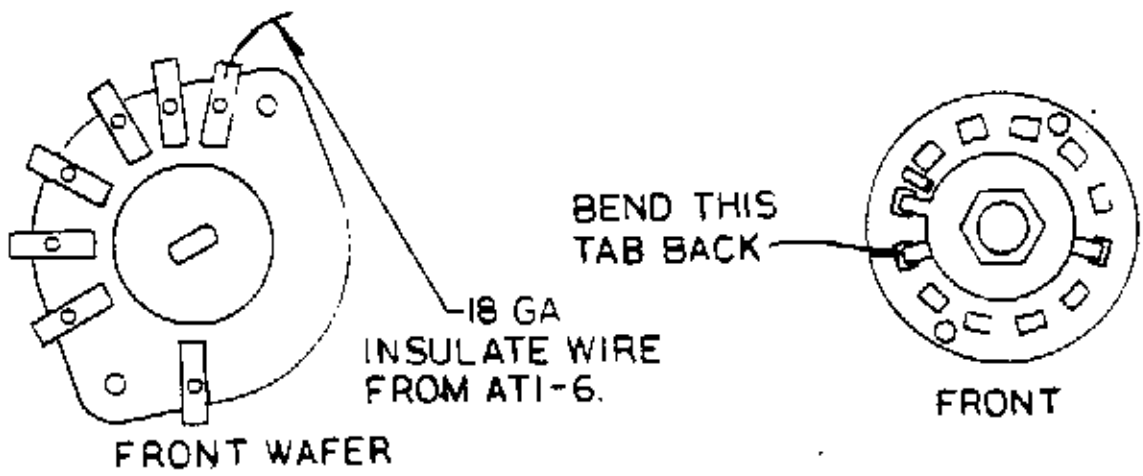


FIG. 2

FIG. 3

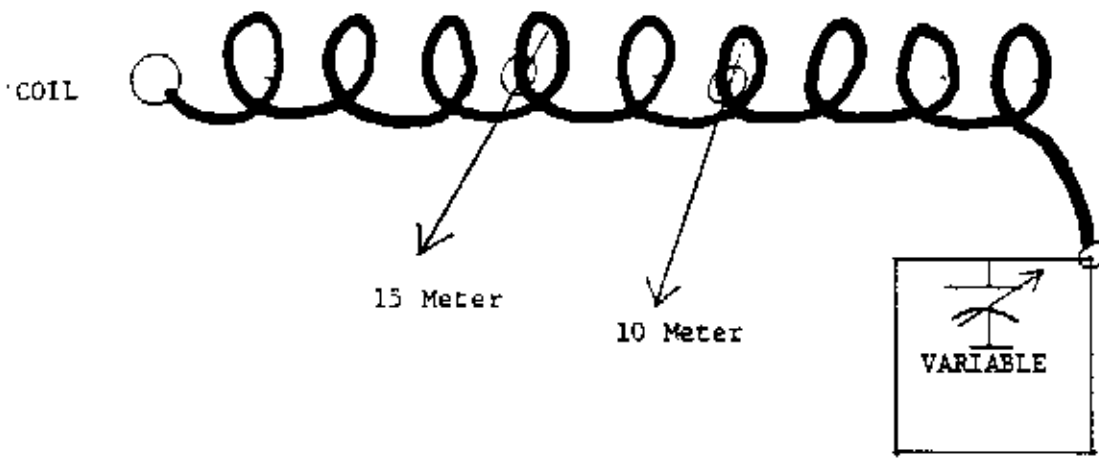


FIGURE 4

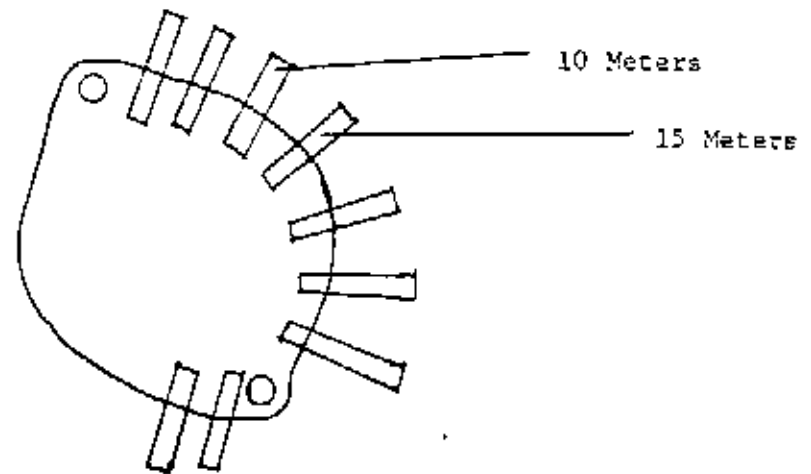


FIGURE 5

\*. FIGURE 2 and 3 applies to LK-500 ZA only!